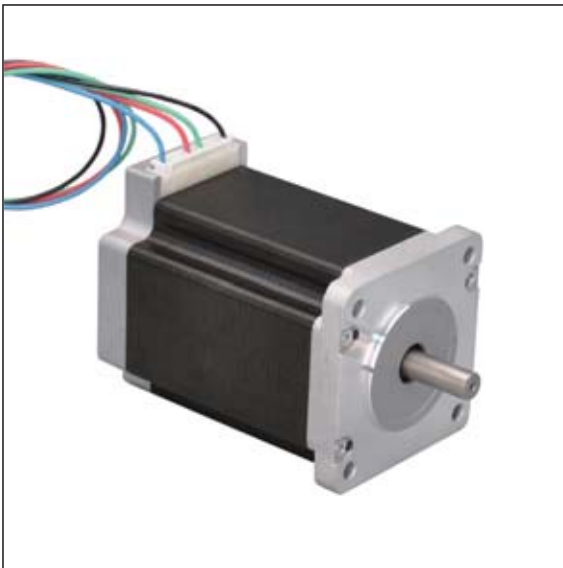


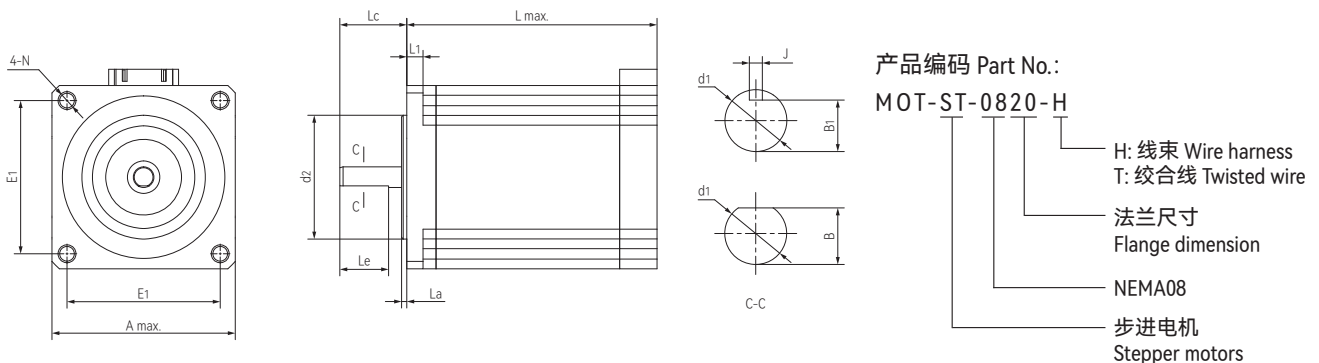
步进电机 Stepper motors



产品特性 Product features

- 电机是性价比高的步进电机，这款电机的连接线直接从外壳接出，适合安装在有额外外壳或用于清洁环境中的机器设备
- Motor is the most cost-effective stepper motor, this motor cable directly exit from the housing, They are suitable for installation in an extra housing or for the machine equipment in cleaning the environment

标准规格 Standard specifications



产品编码 Part No.	d_1 h7 [mm]	d_2 [mm]	A [mm]	N [mm]	$B \pm 0.1$ [mm]	B_1 [mm]	J [mm]	L Max. [mm]	$L_c \pm 0.5$ [mm]	$L_a \pm 0.2$ [mm]	L_1 [mm]	L_e [mm]	E_1 [mm]	重量 Weight [kg]
MOT-ST-0820-H	4	3.5	20.3	M2.5	3.5	/	/	29.5	10	1.5	/	7	16	0.04
MOT-ST-1025-H	5	4.5	25.3	M2.5	4.5	/	/	33	15	1.5	/	10	20	0.085
MOT-ST-1128-H	5	22	28.3	M2.5	4.5	/	/	52	24	2	/	15	23	0.20
MOT-ST-1742-H	5	22	42.3	M3	4.5	/	/	39.8	24.5	2	/	15	31	0.28
MOT-ST-2356-H	6.35	38.1	56.4	5.1	5.8	/	/	77	20.6	2	5.08	15	47.14	0.84
MOT-ST-2460-H	8	38.1	60	4.5	7.5	/	/	87.5	20.6	1.5	7	15	47.14	1.40
MOT-ST-3486-T	12.7	73.025	86.5	6.5	/	10.925	12.7	96	31.75	2	10	22	69.6	2.70

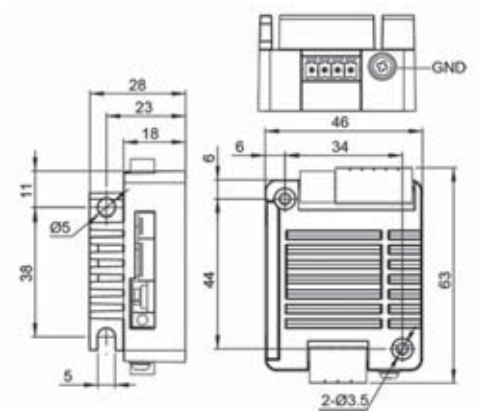
步进电机控制器 Stepper motor controllers



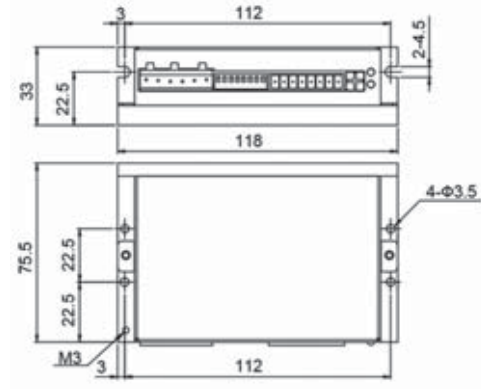
产品特性 Product features

- 步进电机驱动器是基于PID电流控制算法设计的高性价比驱动器，具有优越的性能表现，高速大力矩输出，低噪音，低振动，低发热。驱动器可通过拨码开关选择运行电流和细分，有8种细分，8种电流供选择，具有过压，欠压，相电流过流保护，其输入输出控制信号均采用光电隔离。
- Stepper motor driver is based on PID current control algorithm design, and cost-effective with superior performance, high speed and torque output, low noise and vibration. The running current can be set by DIP switch, there are 8 kinds of subdivision and current options, Protection with overvoltage, undervoltage, phase current overcurrent, The input and output control signals are used optical isolation.

标准规格 Standard specifications



SR3-mini



SR8-plus

产品编码 Part No.	电流 Output Current	电压 Supply Voltage	速度范围 Max.Speed	工作环境温度 Operation temperature	最高环境湿度 Max. ambient humidity	重量 Weight [g]
SR3-mini	0.4-3.0A	12-48VDC	3000	0 - 40°C	90%	120
SR8-plus	2.4-7.8A	24-75VDC	3000	0 - 40°C	90%	400